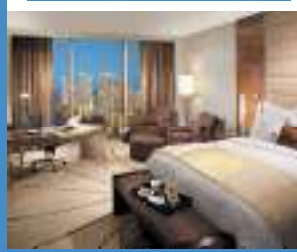




INTERNATIONAL MARBLE INDUSTRIES, INC.

Hospitality



Version 21.0

Solid Surface Shower Bases

(Standard, Custom, Roll-In and ADA)

Senior Living



Multi Family Housing



Resorts



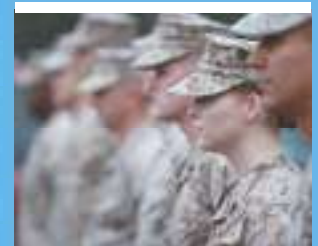
Higher Education



Healthcare



Military Housing



- Tub Surrounds
- Shower Surrounds
- Shower Bases
- Vanity Tops
- Window Sills
- Accessories
... and much more!



Recent Projects

Cultured Marble Products We Supply:

- Tub and Shower Surrounds
- Shower Bases - both Standard and Custom Sizes and Shapes
- Vanity Tops - both Standard and Custom Sizes and Shapes
- Window Sills and Cultured Marble Accessories

Hospitality	# Units	Type
Alligator Bayou, Orlando, FL	1000	TS
Best Western, Oakwood, GA	100	TS
Carribean Resort, Orlando, FL	1780	TS, SS, A
Cypress Bayou Casino Hotel, LA	92	SB, SS
Cobb Galleria Inn, Smyrna, GA	139	TS, SS
Courtyard, Columbus, OH	Multi	TS, SS
Courtyard, Oxford, MS	124	TS, SS, A
Courtyard, San Francisco, CA	187	TS, SS, A
Crowne Plaza, Orlando, FL	245	TS, SS
Dunes Manor, Ocean City, MD	100	TS
Fairfield Inn, Albany, NY	99	TS, SS
Fairfield Inn, Alcoa, TN	89	TS, SS
Fairfield Inn, Gastonia, NC	90	TS, SS, A
Fairfield Inn, Greenville, SC	94	TS, SS, A
Fairfield Inn, Chincoteague, VA	92	TS, SS
Fairfield Inn, Lynchburg, VA	129	TS, SS, A
FairField Inn and Suites, Alcoa, TN	82	TS, SS,
FairField Inn and Suites, Altmore, AL	83	TS, SS, A
FairField Inn and Suites, Austin, TX	134	TS, SS, A
Four Seasons, Denver, CO	125	O
French Quarters, Orlando, FL	1000	TS
Grand Hyatt, Hyderabad, India	100	O
Hampton Inn, Baltimore MD	135	TS, SS
Hampton Inn, Cortez, CO	74	TS, SS, A
Hampton Inn, Hixton, TN	59	TS, SS, A
Hampton Inn, Johnson City, NY	71	TS
Hampton Inn, Uniontown, PA	86	TS, SS, A
Hilton Garden Inn, Arlington, TX	138	TS, SS
Hilton Garden Inn, Baltimore, MD	145	TS, SS
Hilton Garden Inn, Golden, CO	101	TS, SS, A
Holiday Inn Express, Salem, OH	71	TS, SS, A
Holiday Inn Express, Lexington, KY	82	TS, SS, A
Holiday Inn Express, Alexandria, VA	120	TS
Indigo Hotel, New Orleans, LA	132	TS, WS
La Quinta, Monohans, TX	78	TS, SS, A
Magnolia Bend, Orlando, FL	1000	TS
Residence Inn, Austin, TX	95	TS, SS, A
Residence Inn, Lake Charles, LA	72	TS, SS, A
Residence Inn, San Antonio, TX	112	TS, SS

IMI's Industry Focus for Renovation and New Construction Projects:

- Hospitality
- Student Housing
- Multi-Family
- Senior Living
- Resorts
- Military Housing

Hospitality Continued	# Units	Type
Sheraton Denver, CO	120	TS
Sheraton Four Points, LAX	220	TS
Sheraton Orlando, FL	500	TS
Spring Hill Suites, Austin, TX	152	TS, SS, A
Spring Hill Suites, Houston, TX	187	SB, SS, A
Spring Hill Suites, San Antonio, TX	116	TS, SS, A
Vista Hotel, Orlando, FL	242	TS, SS, A
Westin, Orlando, FL	245	SB, SS, A

Student Housing	# Units	Type
Athens, GA	550	VT
Auburn, AL	808	VT
Corpus Christie, TX	653	VT
Harrisburg, VA	307	VT
Statesboro, GA	135	VT
Radford University, Radford, VA	100	SB, SS, VT
University of Oklahoma, Rochester, MI	255	VT

Multi Family	# Units	Type
Alden Ridge, Clarkeston, GA	576	TS
Central Methodist Gardens, Atlanta, GA	240	VT
Oakland Apartments, Jacksonville FL	66	TS, WS
Palmilla Apartments, Charleston, SC	75	TX, A
The Commons at Imperial	75	VT
The Village at Lake Park, Smyrna, GA	1700	TS
Wertland II Apartments, Atlanta, GA	128	VT

Senior Living	# Units	Type
East Cobb Retirement Center, Marietta, GA	90	VT
Retirement Community, Fort Wayne, IN	90	SB, SS
SW Austin Assisted Living, Austin, TX	89	VT
Windermere Assisted Living, Cumming, GA	192	TS, SS, A
Windsor House Asst Living, Evans GA	25	SB

Legend:

- TS = Tub Surrounds
- SB = Shower Bases
- SS = Shower Surrounds
- O = Other
- VT = Vanity Tops
- WS = Window Sills
- A = Accessories

Typical CSI Codes: 06 61 13 (Div 06), 22 42 23 (Div 22), 10 28 16 (Div 10), and 10 28 19 (Div 10)

Our products comply with one or more of the following: IAPMO, ANSI, HUD, NAHB, NHQ.

Revised: 2020.03.18
© 2020 Copyright IMI Intl. Marble Industries, Inc.



Our Story

In 1983, Dirk De Vuyst relocated from Belgium to New York City to establish an office and distribution center for a large textile manufacturer in Belgium. He arrived at JFK airport with a credit card, 2 suit cases and a mission: go sell textiles in the USA! His efforts ultimately translated into a multimillion dollar investment by the Belgian company to build a spinning mill and weaving facility in South Carolina.

In 1989, Dirk became the CEO of a carpet and rug plant in Georgia. Leading a team of 250, he operated a full continuous extrusion and weaving plant, honed his leadership skills and his love for manufacturing.

In 1995, Dirk bought the assets of Intl Marble Industries, Inc. (IMI) in Woodstock, GA, refocused its operations on servicing only the Atlanta Homebuilder better. IMI introduced a "guaranteed 5-day install" to the Atlanta market. Soon the contractors began to take notice. In 1998, the company moved into a brand new 30,000 sq. ft facility on 5 acres in Bell Industrial Business Park.

By 2006, Atlanta homebuilders built 60,000 homes a year and IMI, with its 125 team members, would manufacture and install its cultured marble products for 18,000 of the 60,000 homes built per year!

During the Great Recession, IMI's management re-focused its resources on manufacturing shower bases and tub/shower surrounds for Hospitality, Multi-Family and Student Housing. IMI also worked on brand approval with all major flags. In 2011, the company set up its own supply line of shower glass enclosures in China offering all popular styles to the hotel

By 2010, IMI expanded its Woodstock, GA plant to 50,000 sq. ft. in 2018, it added a 30,000 ft distribution center in Canton, Ga, a few miles North of the plant

The IMI plant is an EPA Certified manufacturing facility. IMI key staff and plant managers are CCT-CP certified (Certified Composites Technician – Cast Polymer). IMI manufactures "MasterCast" cultured marble products using the latest in full, continuous automatic casting technology guaranteeing the most consistent product quality and value available.

Lead-times are critical to our customers and IMI's team works hard to ensure that our clients receive their order on their schedule, not ours. Delivering quality cast marble surrounds and shower bases on YOUR schedule is our top priority.



Our Manufacturing Facility



Our Distribution Center

Revised: 2020.03.18

© 2020 Copyright IMI Intl. Marble Industries, Inc.





Solid Surface Solutions for Your Showers

IMI Facts

Dirk De Vuyst and Team IMI are proud to present our latest Spring 2015 Product Catalog. This new addition covers our largest collection ever of Cast Marble Solutions!

Since 1990 IMI continues to manufacture Cast Marble Solutions in its facility located in Woodstock, GA. IMI produces, packages and ships our cast marble products across the USA, Canada, South America, Europe and the Middle East.

IMI is focused on its core markets, and thoughtful in its business strategy. None of it would be possible without the unrelenting **commitment from our team**, the continued **support of our suppliers**, and most of all the **trust of our customers**.

IMI wishes you the best of success! We also look forward to meeting your needs during any phase of your project.

IMI Products:

- Cast Marble Products
 - Tub and Shower Surrounds
 - Shower Bases
 - Window Sills
 - Accessories
- Glass Shower Enclosures

IMI Industry Focus:

- Hospitality
- Student Housing
- Multi-Family
- Senior Living
- Military Housing
- Healthcare
- Resorts



Revised: 2020.03.18

© 2020 Copyright IMI Intl. Marble Industries, Inc.





Solid Surface Solutions for Your Showers

IMI's 4 Promises

SHORT LEAD TIMES

IMI prides itself on having the shortest lead times in the industry. We can make your product within 8 weeks or less. We hold local inventory of the most popular styles of our **glass shower enclosures**, as well as our **solid surface shower bases**, which allows us to meet quick renovation timelines.

COST EFFICIENT

IMI's price point is the most competitive in the industry. With our proprietary filler dust, we have a more durable and flexible product, which limits your needs for replacement product, and increases efficiency in installation.

High Quality Product Mix + Economical Pricing = COST EFFICIENT or VALUE

LARGE/FAST DELIVERIES

IMI delivers its products anywhere in the Continental US, North America, the Caribbean, and Canada. We manufacture in truckloads, and can produce a few hotels a day out of our plant in Woodstock, GA.

MADE IN THE USA

IMI's **cast marble products** are made in the USA. We use only the best raw materials, and latest in automated casting technology. Our proprietary mix of filler improves durability and flexibility, which is a real plus for installers and owners.

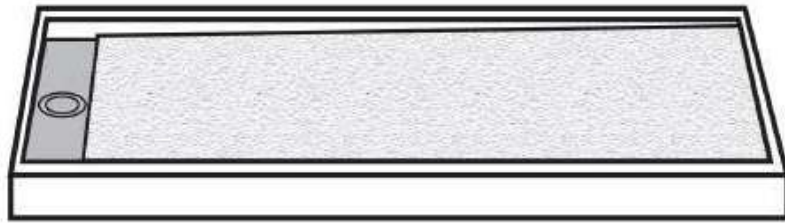
SB40x36-4TD-xH-SC

inches

40 X 36 SOLID SURFACE SHOWER BASE WITH RH OR LH TRENCH DRAIN
IMI SOLIDCAST™

Exterior Dimensions: 40W x 36D

Note: Base dimensions may vary +/- 1/8"



FEATURES

- Solid one-piece construction, nonporous through body
- Integral flange
- Pre-leveled, rests on subfloor
- Solid surface construction, contains minimum 60% solid particle aggregate aluminum hydroxide
- 40% acrylic modified polyester resin

STANDARDS AND RATINGS

- Typical CSI Code: 22 42 23 (Div 22)
- ANSI
- ASTM (Fire Rating)
- MAS Certified Green
- Slip-resistance: SCoF = 0.6+, wet; DCoF = 0.42+
- Breaking strength: 250 lbs. minimum

*See terms and conditions for details.

Material to be stacked on pallets.

COLOR & TRIM OPTIONS

Standard Color	Code
White	SW

Additional custom colors available.



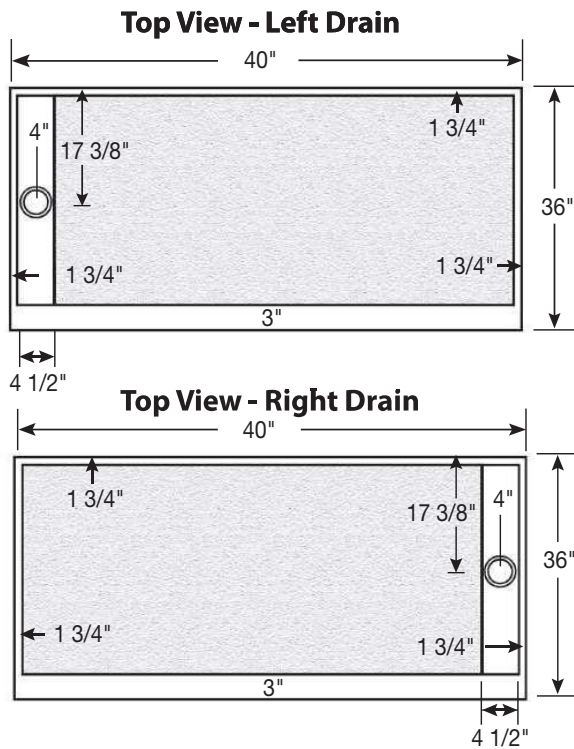
Solid Surface Solutions



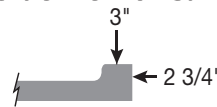
SB40x36-4TD-xH-SC

40 X 36 SOLID SURFACE SHOWER BASE WITH RH OR LH TRENCH DRAIN
IMI SOLIDCAST™

Note: Base dimensions may vary +/- 1/8"



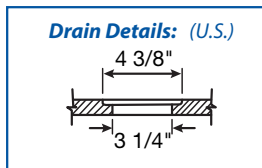
Side View of Curb



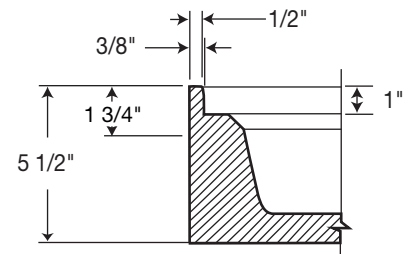
Drain Cover



Drain Details: (U.S.)



Flange Details: (U.S.)





FEATURES Dimensional Tolerance $\pm 1/8$ ". Dimensions needed for site preparation should be measured from the unit. American Bath Group assumes no responsibility for preparatory work.

Type and Model #	Material	Shower Base	Pieces
Shower Base #SB40x36-4TD-xH-SC	Cast Solid Surface	Anti-Slip/Textured Finish	1

DIMENSIONS

Specifications	inches
Shower Base Depth:	36
Shower Base Width:	40
Curb Height:	2 3/4
Curb Width:	3

SUGGESTED DRAINS

Image	Description
	Solvent Weld type fitting similar to Oatey Part No. 42097
	Compression type "No-Caulk" fitting similar to Oatey Part No. 42099

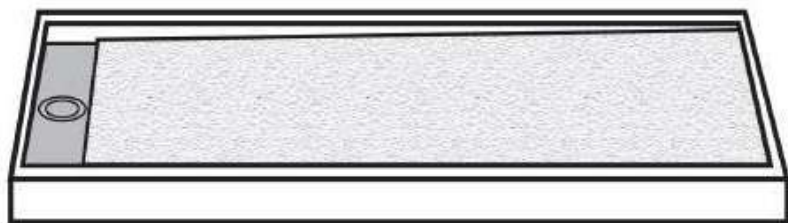
SB50x32-4TD-xH-SC

inches

50 X 32 SOLID SURFACE SHOWER BASE WITH RH OR LH TRENCH DRAIN
IMI SOLIDCAST™

Exterior Dimensions: 50W x 32D

Note: Base dimensions may vary +/- 1/8"



FEATURES

- Solid one-piece construction, nonporous through body
- Integral flange
- Pre-leveled, rests on subfloor
- Solid surface construction, contains minimum 60% solid particle aggregate aluminum hydroxide
- 40% acrylic modified polyester resin

STANDARDS AND RATINGS

- Typical CSI Code: 22 42 23 (Div 22)
- ANSI
- ASTM (Fire Rating)
- MAS Certified Green
- Slip-resistance: SCoF = 0.6+, wet; DCoF = 0.42+
- Breaking strength: 250 lbs. minimum

*See terms and conditions for details.

Material to be stacked on pallets.

COLOR & TRIM OPTIONS

Standard Color	Code
White	SW

Additional custom colors available.



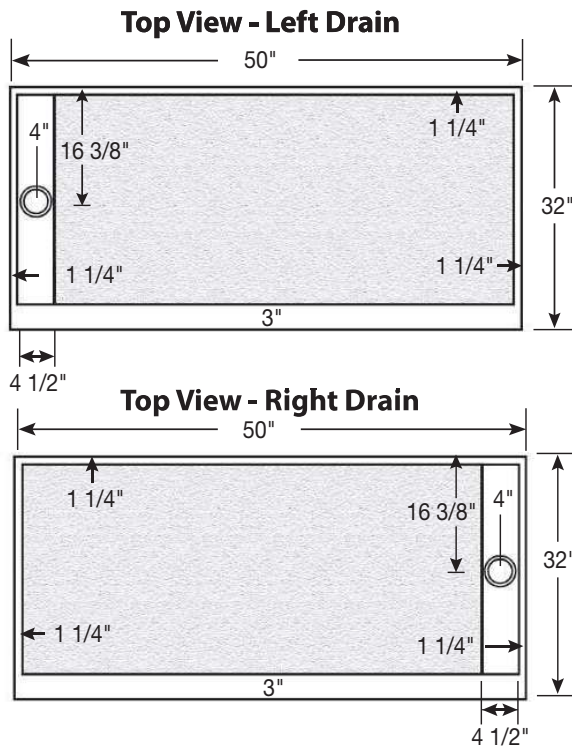
Solid Surface Solutions



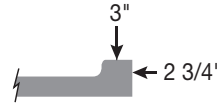
SB50x32-4TD-xH-SC

50 X 32 SOLID SURFACE SHOWER BASE WITH RH OR LH TRENCH DRAIN
IMI SOLIDCAST™

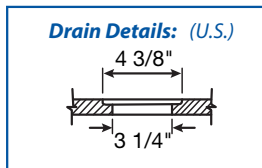
Note: Base dimensions may vary +/- 1/8"



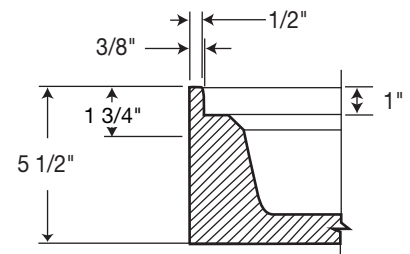
Side View of Curb



Drain Cover



Flange Details: (U.S.)





FEATURES Dimensional Tolerance $\pm 1/8"$. Dimensions needed for site preparation should be measured from the unit. American Bath Group assumes no responsibility for preparatory work.

Type and Model #	Material	Shower Base	Pieces
Shower Base #SB50x32-4TD-xH-SC	Cast Solid Surface	Anti-Slip/Textured Finish	1

DIMENSIONS

Specifications	inches
Shower Base Depth:	32
Shower Base Width:	50
Curb Height:	2 3/4
Curb Width:	3

SUGGESTED DRAINS

Image	Description
	Solvent Weld type fitting similar to Oatey Part No. 42097
	Compression type "No-Caulk" fitting similar to Oatey Part No. 42099

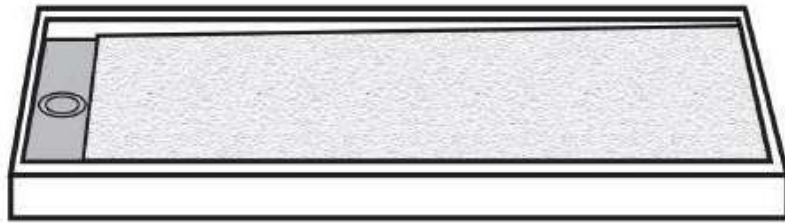
SB60x30-4TD-xH-SC

inches

60 X 30 SOLID SURFACE SHOWER BASE WITH RH OR LH TRENCH DRAIN
IMI SOLIDCAST™

Exterior Dimensions: 59 3/4" x 30"

Note: Base dimensions may vary +/- 1/8"



FEATURES

- Solid one-piece construction, nonporous through body
- Integral flange
- Pre-leveled, rests on subfloor
- Solid surface construction, contains minimum 60% solid particle aggregate aluminum hydroxide
- 40% acrylic modified polyester resin

STANDARDS AND RATINGS

- Typical CSI Code: 22 42 23 (Div 22)
- ANSI
- ASTM (Fire Rating)
- MAS Certified Green
- Slip-resistance: SCoF = 0.6+, wet; DCoF = 0.42+
- Breaking strength: 250 lbs. minimum

*See terms and conditions for details.

Material to be stacked on pallets.

COLOR & TRIM OPTIONS

Standard Color	Code
White	SW



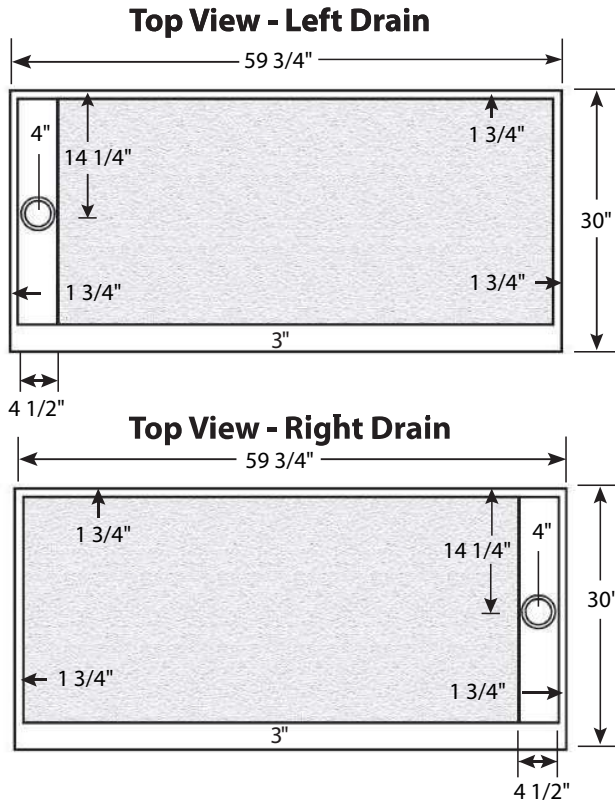
Solid Surface Solutions



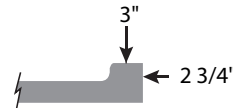
SB60x30-4TD-xH-SC

60 X 30 SHOWER BASE WITH RH OR LH TRENCH DRAIN
IMI SOLIDCAST™

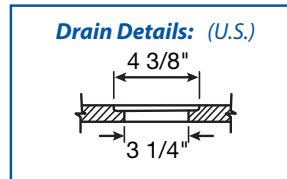
Note: Base dimensions may vary +/- 1/8"



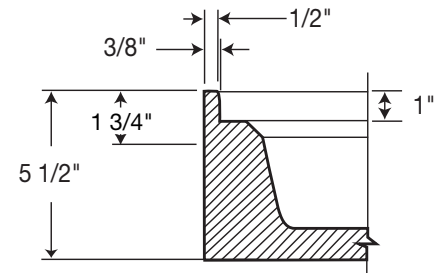
Side View of Curb



Drain Cover



Flange Details: (U.S.)





FEATURES Dimensional Tolerance $\pm 1/8"$. Dimensions needed for site preparation should be measured from the unit. American Bath Group assumes no responsibility for preparatory work.

Type and Model #	Material	Shower Base	Pieces
Shower Base #SB60x30-4TD-xH-SC	Cast Solid Surface	Anti-Slip/Textured Finish	1

DIMENSIONS

Specifications	inches
Shower Base Depth:	30
Shower Base Width:	59 3/4
Curb Height:	2 3/4
Curb Width:	3

SUGGESTED DRAINS

Image	Description
	Solvent Weld type fitting similar to Oatey Part No. 42097
	Compression type "No-Caulk" fitting similar to Oatey Part No. 42099

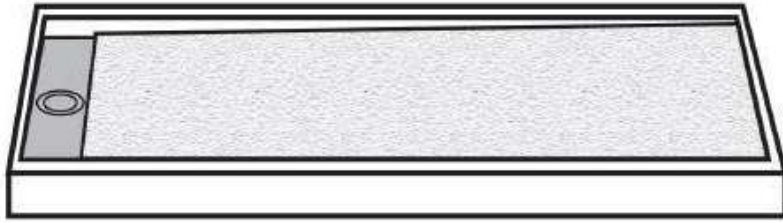
SB60x32-4TD-xH-SC

inches

60 X 32 SOLID SURFACE SHOWER BASE WITH RH OR LH TRENCH DRAIN
IMI SOLIDCAST™

Exterior Dimensions: 59 3/4" x 32"

Note: Base dimensions may vary +/- 1/8"



Material to be stacked on pallets.

COLOR & TRIM OPTIONS

Standard Color	Code
White	SW

Additional custom colors available.

IMI
INTERNATIONAL MARBLE INDUSTRIES
Solid Surface Solutions

FEATURES

- Solid one-piece construction, nonporous through body
- Integral flange
- Pre-leveled, rests on subfloor
- Solid surface construction, contains minimum 60% solid particle aggregate aluminum hydroxide
- 40% acrylic modified polyester resin

STANDARDS AND RATINGS

- Typical CSI Code: 22 42 23 (Div 22)
- ANSI
- ASTM (Fire Rating)
- MAS Certified Green
- Slip-resistance: SCoF = 0.6+, wet; DCoF = 0.42+
- Breaking strength: 250 lbs. minimum

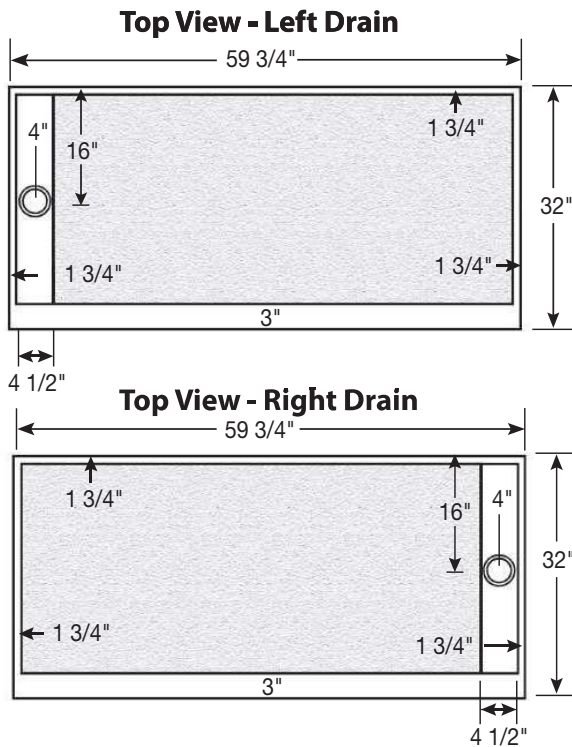
*See terms and conditions for details.



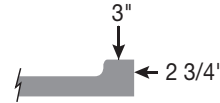
SB60x32-4TD-xH-SC

60 X 32 SOLID SURFACE SHOWER BASE WITH RH OR LH TRENCH DRAIN
IMI SOLIDCAST™

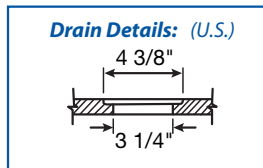
Note: Base dimensions may vary +/- 1/8"



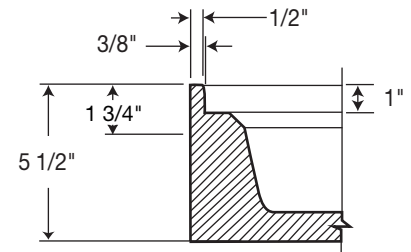
Side View of Curb



Drain Cover



Flange Details: (U.S.)





FEATURES Dimensional Tolerance $\pm 1/4"$. Dimensions needed for site preparation should be measured from the unit. American Bath Group assumes no responsibility for preparatory work.

Type and Model #	Material	Shower Base	Pieces
Shower Base #SB60x32-4TD-xH-SC	Cast Solid Surface	Anti-Slip/Textured Finish	1

DIMENSIONS

Specifications	inches
Shower Base Depth:	32
Shower Base Width:	59 3/4
Curb Height:	2 3/4
Curb Width:	3

SUGGESTED DRAINS

Image	Description
	Solvent Weld type fitting similar to Oatey Part No. 42097
	Compression type "No-Caulk" fitting similar to Oatey Part No. 42099

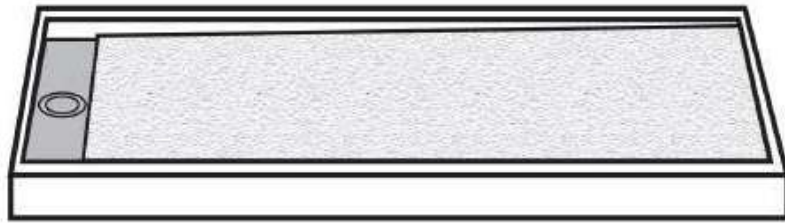
SB60x34-4TD-xH-SC

inches

60 X 34 SOLID SURFACE SHOWER BASE WITH RH OR LH TRENCH DRAIN
IMI SOLIDCAST™

Exterior Dimensions: 59 3/4" x 34"

Note: Base dimensions may vary +/- 1/8"



FEATURES

- Solid one-piece construction, nonporous through body
- Integral flange
- Pre-leveled, rests on subfloor
- Solid surface construction, contains minimum 60% solid particle aggregate aluminum hydroxide
- 40% acrylic modified polyester resin

STANDARDS AND RATINGS

- Typical CSI Code: 22 42 23 (Div 22)
- ANSI
- ASTM (Fire Rating)
- MAS Certified Green
- Slip-resistance: SCoF = 0.6+, wet; DCoF = 0.42+
- Breaking strength: 250 lbs. minimum

*See terms and conditions for details.

Material to be stacked on pallets.

COLOR & TRIM OPTIONS

Standard Color	Code
White	SW

Additional custom colors available.



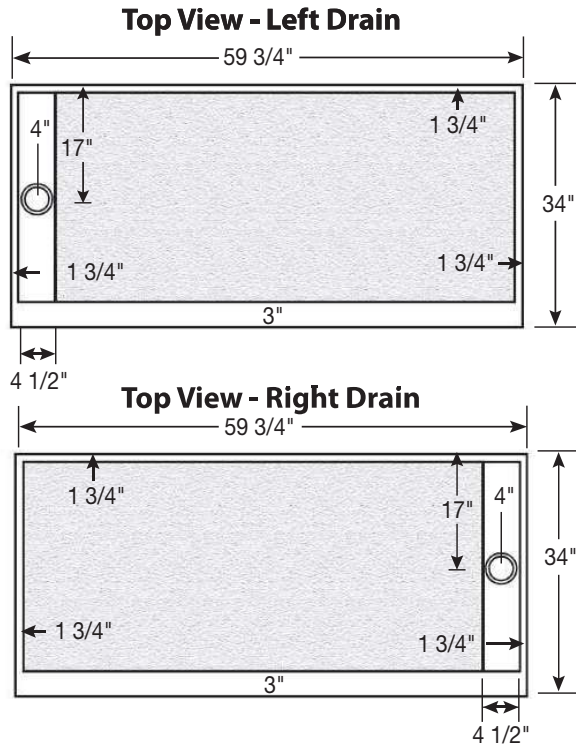
Solid Surface Solutions



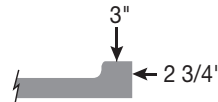
SB60x34-4TD-xH-SC

60 X 34 SOLID SURFACE SHOWER BASE WITH RH OR LH TRENCH DRAIN
IMI SOLIDCAST™

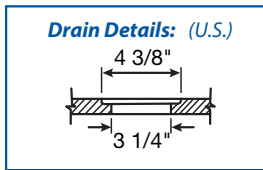
Note: Base dimensions may vary +/- 1/8"



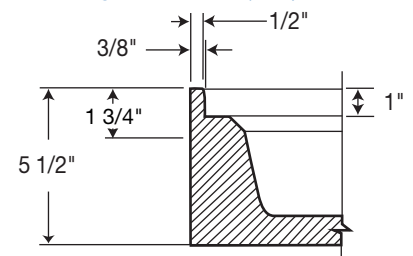
Side View of Curb



Drain Cover



Flange Details: (U.S.)





FEATURES Dimensional Tolerance ± 1/8". Dimensions needed for site preparation should be measured from the unit. American Bath Group assumes no responsibility for preparatory work.

Type and Model #	Material	Shower Base	Pieces
Shower Base #SB60x34-4TD-xH-SC	Cast Solid Surface	Anti-Slip/Textured Finish	1

DIMENSIONS

Specifications	inches
Shower Base Depth:	34
Shower Base Width:	59 3/4
Curb Height:	2 3/4
Curb Width:	3

SUGGESTED DRAINS

Image	Description
	Solvent Weld type fitting similar to Oatey Part No. 42097
	Compression type "No-Caulk" fitting similar to Oatey Part No. 42099

SB60x34-SSB-xH-SC

inches

60 X 34 SOLID SURFACE SHOWER BASE WITH RH OR LH DRAIN
IMI SOLIDCAST™

Exterior Dimensions: 60W x 34D

Note: Base dimensions may vary +/- 1/8"

* Also available in IMI ProCast™



Material to be stacked on pallets.

COLOR & TRIM OPTIONS

Standard Color	Code
White	SW

Additional custom colors available.

IMI
INTERNATIONAL MARBLE INDUSTRIES
Solid Surface Solutions

FEATURES

- Solid one-piece construction, nonporous through body
- Integral flange
- Pre-leveled, rests on subfloor
- Solid surface construction, contains minimum 60% solid particle aggregate aluminum hydroxide
- 40% acrylic modified polyester resin

STANDARDS AND RATINGS

- Typical CSI Code: 22 42 23 (Div 22)
- ANSI
- ASTM (Fire Rating)
- MAS Certified Green
- Slip-resistance: SCoF = 0.6+, wet; DCoF = 0.42+
- Breaking strength: 250 lbs. minimum

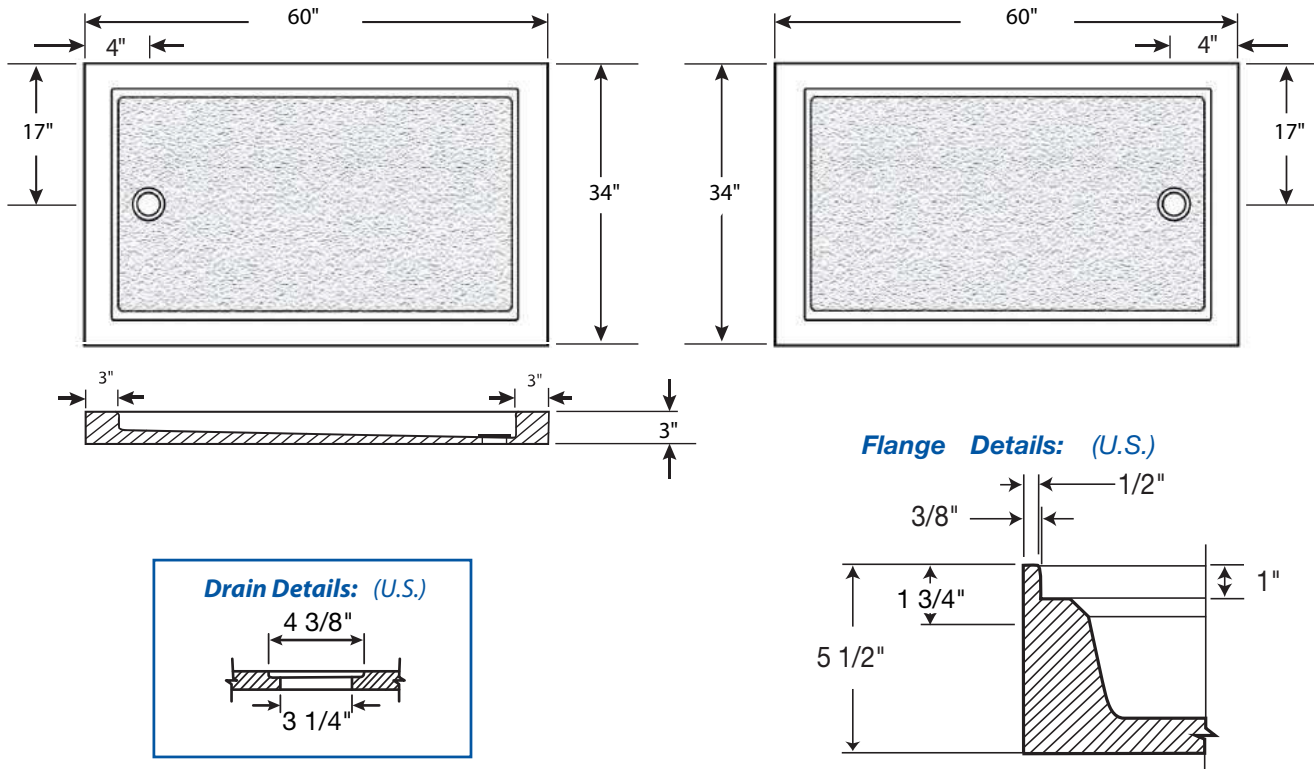
*See terms and conditions for details.



SB60x34-SSB-xH-SS

60 X 34 SHOWER BASE WITH RH OR LH DRAIN
IMI LITECAST™

Note: Base dimensions may vary +/- 1/8"





FEATURES Dimensional Tolerance $\pm 1/8"$. Dimensions needed for site preparation should be measured from the unit. American Bath Group assumes no responsibility for preparatory work.

Type and Model #	Material	Shower Base	Pieces
Shower Base #SB66x34-SSB-xH-SC	Cast Solid Surface	Anti-Slip/Textured Finish	1

DIMENSIONS

Specifications	inches
Shower Base Depth:	34
Shower Base Width:	60
Curb Height:	3
Curb Width:	3

SUGGESTED DRAINS

Image	Description
	Solvent Weld type fitting similar to Oatey Part No. 42097
	Compression type "No-Caulk" fitting similar to Oatey Part No. 42099

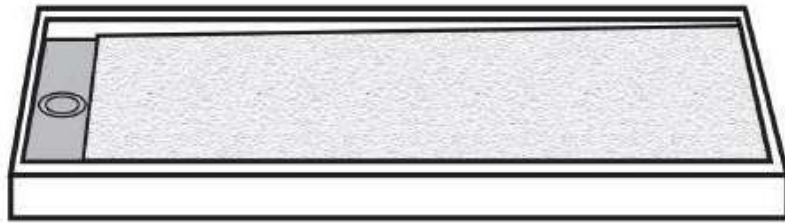
SB60x36-4TD-xH-SC

inches

60 X 36 SOLID SURFACE SHOWER BASE WITH RH OR LH TRENCH DRAIN
IMI SOLIDCAST™

Exterior Dimensions: 59 3/4" x 36"

Note: Base dimensions may vary +/- 1/8"



FEATURES

- Solid one-piece construction, nonporous through body
- Integral flange
- Pre-leveled, rests on subfloor
- Solid surface construction, contains minimum 60% solid particle aggregate aluminum hydroxide
- 40% acrylic modified polyester resin

STANDARDS AND RATINGS

- Typical CSI Code: 22 42 23 (Div 22)
- ANSI
- ASTM (Fire Rating)
- MAS Certified Green
- Slip-resistance: SCoF = 0.6+, wet; DCoF = 0.42+
- Breaking strength: 250 lbs. minimum

*See terms and conditions for details.

Material to be stacked on pallets.

COLOR & TRIM OPTIONS

Standard Color	Code
White	SW

Additional custom colors available.



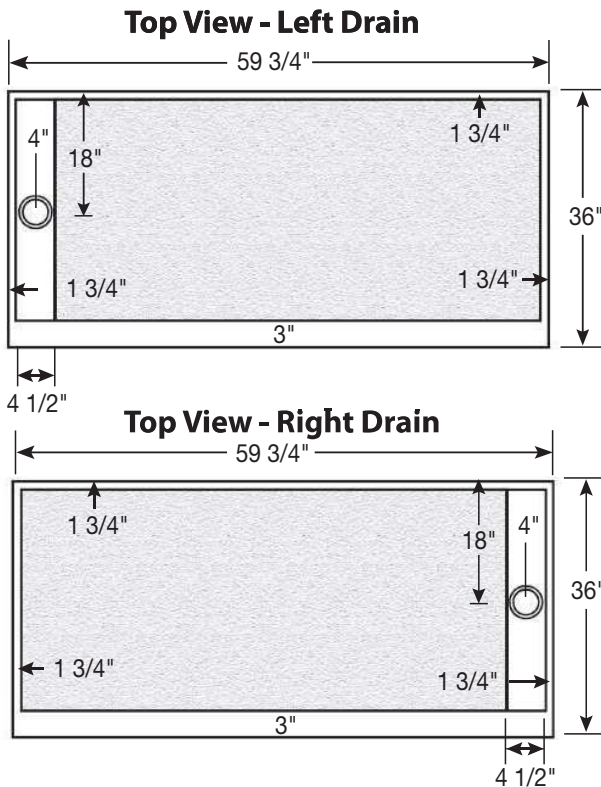
Solid Surface Solutions



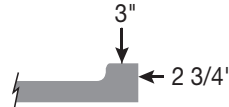
SB60x36-4TD-xH-SC

60 X 36 SOLID SURFACE SHOWER BASE WITH RH OR LH TRENCH DRAIN
IMI SOLIDCAST™

Note: Base dimensions may vary +/- 1/8"



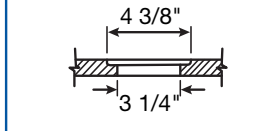
Side View of Curb



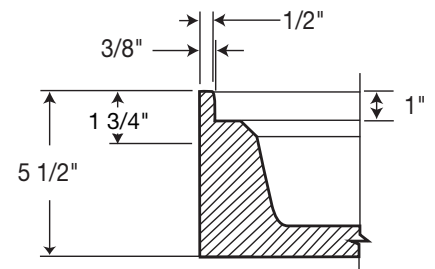
Drain Cover



Drain Details: (U.S.)



Flange Details: (U.S.)





FEATURES Dimensional Tolerance ± 1/8". Dimensions needed for site preparation should be measured from the unit. American Bath Group assumes no responsibility for preparatory work.

Type and Model #	Material	Shower Base	Pieces
Shower Base #SB60x36-4TD-xH-SC	Cast Solid Surface	Anti-Slip/Textured Finish	1

DIMENSIONS

Specifications	inches
Shower Base Depth:	36
Shower Base Width:	59 3/4
Curb Height:	2 3/4
Curb Width:	3

SUGGESTED DRAINS

Image	Description
	Solvent Weld type fitting similar to Oatey Part No. 42097
	Compression type "No-Caulk" fitting similar to Oatey Part No. 42099

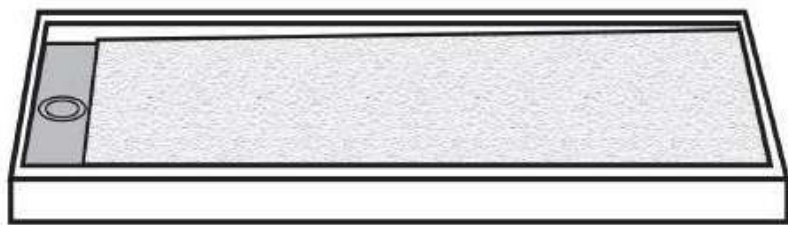
SB60x42-4TD-xH-SC

inches

60 X 42 SOLID SURFACE SHOWER BASE WITH RH OR LH TRENCH DRAIN
IMI SOLIDCAST™

Exterior Dimensions: 59 3/4" x 42"

Note: Base dimensions may vary +/- 1/8"



FEATURES

- Solid one-piece construction, nonporous through body
- Integral flange
- Pre-leveled, rests on subfloor
- Solid surface construction, contains minimum 60% solid particle aggregate aluminum hydroxide
- 40% acrylic modified polyester resin

STANDARDS AND RATINGS

- Typical CSI Code: 22 42 23 (Div 22)
- ANSI
- ASTM (Fire Rating)
- MAS Certified Green
- Slip-resistance: SCoF = 0.6+, wet; DCoF = 0.42+
- Breaking strength: 250 lbs. minimum

*See terms and conditions for details.

Material to be stacked on pallets.

COLOR & TRIM OPTIONS

Standard Color	Code
White	SW

Additional custom colors available.



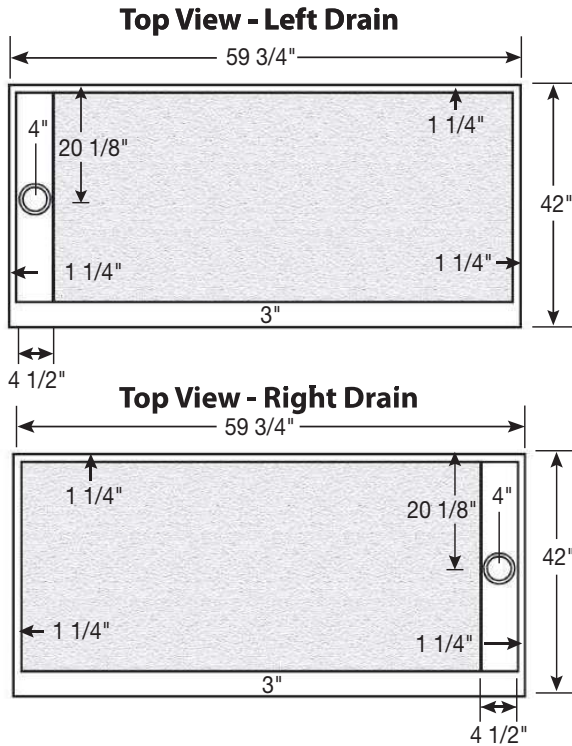
Solid Surface Solutions



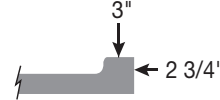
SB60x42-4TD-xH-SC

60 X 42 SOLID SURFACE SHOWER BASE WITH RH OR LH TRENCH DRAIN
IMI SOLIDCAST™

Note: Base dimensions may vary +/- 1/8"



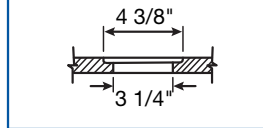
Side View of Curb



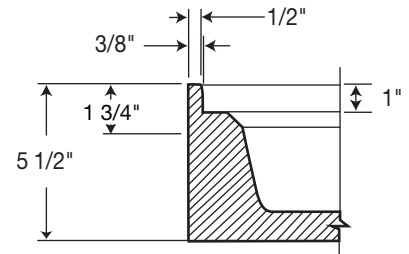
Drain Cover



Drain Details: (U.S.)



Flange Details: (U.S.)





FEATURES Dimensional Tolerance ± 1/8". Dimensions needed for site preparation should be measured from the unit. American Bath Group assumes no responsibility for preparatory work.

Type and Model #	Material	Shower Base	Pieces
Shower Base #SB60x42-4TD-xH-SC	Cast Solid Surface	Anti-Slip/Textured Finish	1

DIMENSIONS

Specifications	inches
Shower Base Depth:	42
Shower Base Width:	59 3/4
Curb Height:	2 3/4
Curb Width:	3

SUGGESTED DRAINS

Image	Description
	Solvent Weld type fitting similar to Oatey Part No. 42097
	Compression type "No-Caulk" fitting similar to Oatey Part No. 42099

SB62x36-RI-6TD-SC

inches

62 X 36 SOLID SURFACE ADA ROLL-IN W/6" TRENCH DRAIN SHOWER BASE
IMI SOLIDCAST™

Exterior Dimensions: 62W x 36D

Note: Base dimensions may vary +/- 1/8"

* Also available in IMI ProCast™



Material to be stacked on pallets.

COLOR & TRIM OPTIONS

Standard Color	Code
White	SW

Optional Color	Code
Cream	SC
Ivory	SI
Warm White	WW

Additional custom colors available.



Solid Surface Solutions

FEATURES

- Solid one-piece construction
- Integral flange
- Pre-levleled, rests on subfloor
- Solid surface construction, contains minimum 60% solid particle aggregate aluminum hydroxide
- 40% acrylic modified polyester resin

STANDARDS AND RATINGS

- Typical CSI Code: 22 42 23 (Div 22)
- ANSI
- ASTM (Fire Rating)
- MAS Certified Green
- Slip-resistance: SCoF = 0.6+, wet; DCoF = 0.42+
- Breaking strength: 250 lbs. minimum

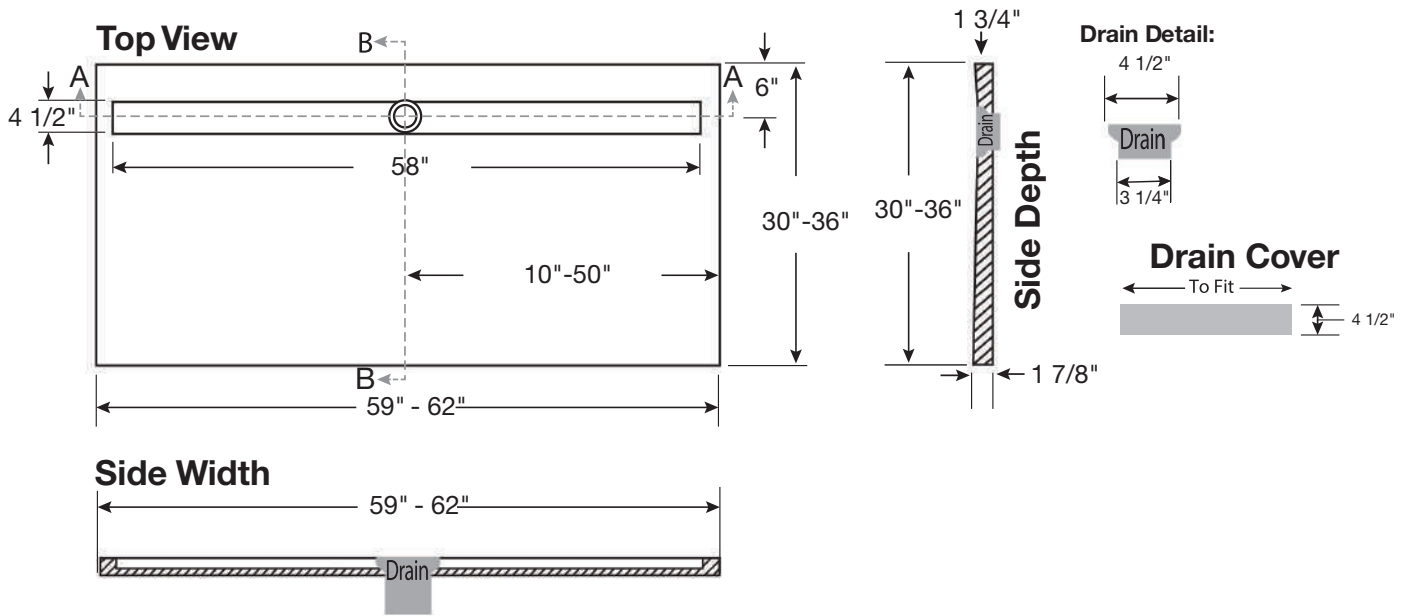
*See terms and conditions for details.



SB62x36-RI-6TD-SC

62 X 36 SOLID SURFACE ADA ROLL-IN W/6" TRENCH DRAIN SHOWER BASE
IMI SOLIDCAST™

Note: Base dimensions may vary +/- 1/8"





FEATURES Dimensional Tolerance $\pm 1/8"$. Dimensions needed for site preparation should be measured from the unit. American Bath Group assumes no responsibility for preparatory work.

Type and Model #	Material	Shower Base	Pieces
Shower Base #SB62x36-RI-6TD-SC	Cast Solid Surface	Anti-Slip/Textured Finish	1

DIMENSIONS

Specifications	inches
Shower Base Depth:	36
Shower Base Width:	62
Threshold Height:	1 3/4

SUGGESTED DRAINS

Image	Description
	Solvent Weld type fitting similar to Oatey Part No. 42097
	Compression type "No-Caulk" fitting similar to Oatey Part No. 42099

SB66x34-SSB-xH-SC

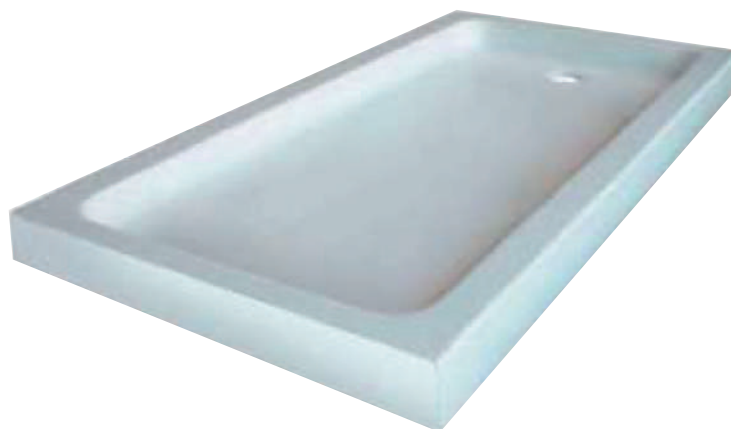
inches

66 X 34 SOLID SURFACE SHOWER BASE WITH RH OR LH DRAIN
IMI SOLIDCAST™

Exterior Dimensions: 66W x 34D

Note: Base dimensions may vary +/- 1/8"

* Also available in IMI ProCast™



Material to be stacked on pallets.

COLOR & TRIM OPTIONS

Standard Color	Code
White	SW

Additional custom colors available.

FEATURES

- Solid one-piece construction, nonporous through body
- Integral flange
- Pre-leveled, rests on subfloor
- Solid surface construction, contains minimum 60% solid particle aggregate aluminum hydroxide
- 40% acrylic modified polyester resin

STANDARDS AND RATINGS

- Typical CSI Code: 22 42 23 (Div 22)
- ANSI
- ASTM (Fire Rating)
- MAS Certified Green
- Slip-resistance: SCoF = 0.6+, wet; DCoF = 0.42+
- Breaking strength: 250 lbs. minimum

*See terms and conditions for details.



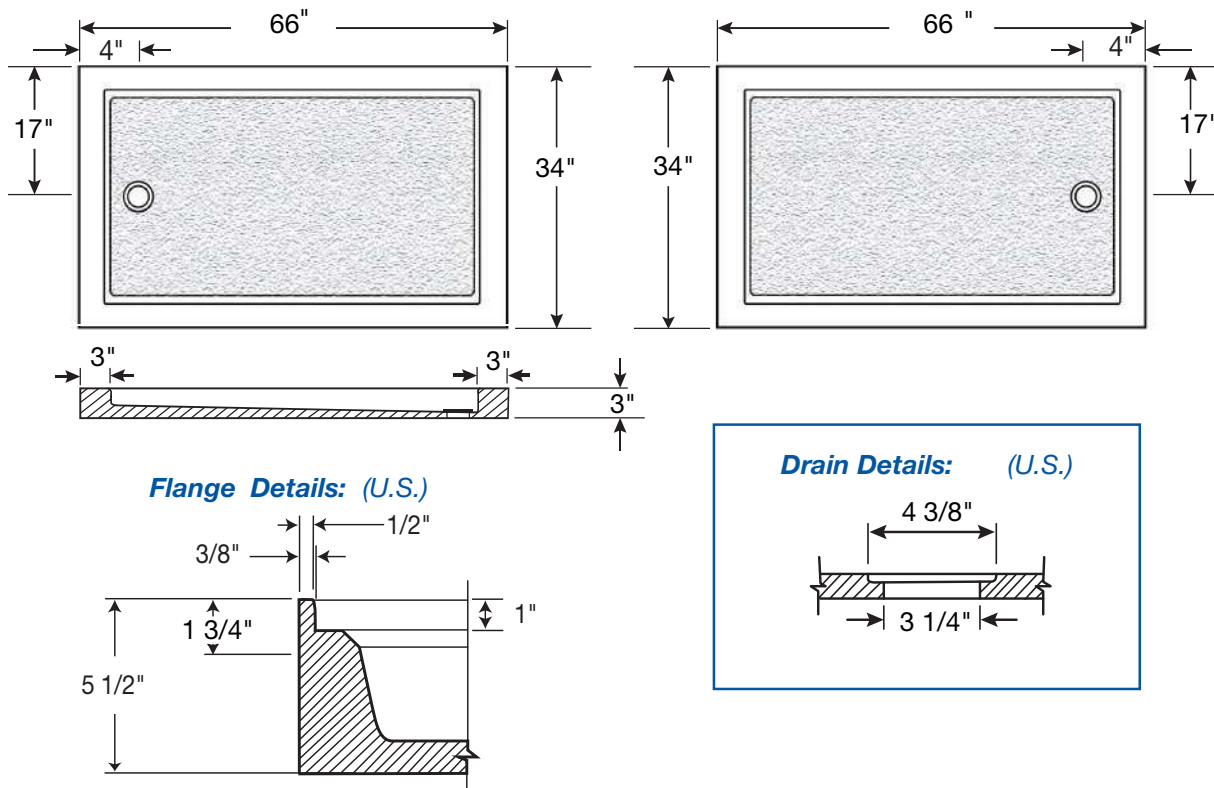
Solid Surface Solutions



SB66x34-SSB-xH-SC

66 X 34 SOLID SURFACE SHOWER BASE WITH RH OR LH DRAIN
IMI SOLIDCAST™

Note: Base dimensions may vary +/- 1/8"





FEATURES Dimensional Tolerance ± 1/8". Dimensions needed for site preparation should be measured from the unit. American Bath Group assumes no responsibility for preparatory work.

Type and Model #	Material	Shower Base	Pieces
Shower Base #SB66x34-SSB-xH-SC	Cast Solid Surface	Anti-Slip/Textured Finish	1

DIMENSIONS

Specifications	inches
Shower Base Depth:	34
Shower Base Width:	66
Curb Height:	3
Curb Width:	3

SUGGESTED DRAINS

Image	Description
	Solvent Weld type fitting similar to Oatey Part No. 42097
	Compression type "No-Caulk" fitting similar to Oatey Part No. 42099

62 X 31 SOLID SURFACE ROLL-IN SHOWER BASE

IMI SOLIDCAST™

Exterior Dimensions: 62W x 31D

Note: Base dimensions may vary +/- 1/8"



FEATURES

- Solid one-piece construction
- Integral flange
- Pre-leveled, rests on subfloor
- Solid surface construction, contains minimum 60% solid particle aggregate aluminum hydroxide
- 40% acrylic modified polyester resin

STANDARDS AND RATINGS

- ANSI Z124.1.2 - 2005 tested by NAHB
- ASTM 1028-96 coefficient of friction test (minimum rating of 0.67)
- Slip-resistance: SCoF = 0.6+, wet; DCoF = 0.42+
- Breaking strength: 250 lbs. minimum

Code compliant when fully equipped and installed according to guidelines.

*See terms and conditions for details.

Material to be stacked on pallets.

COLOR & TRIM OPTIONS

Standard Color	Code
White	SW

Additional custom colors available.



Solid Surface Solutions

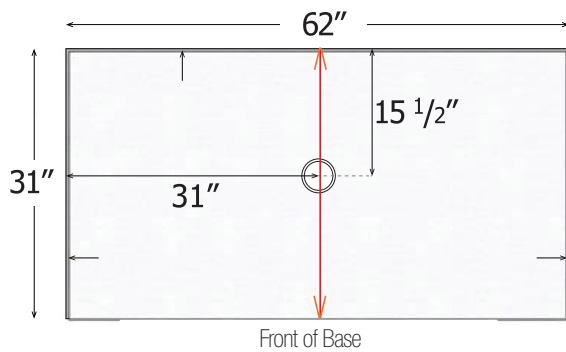


SB-RI-ADA-SC

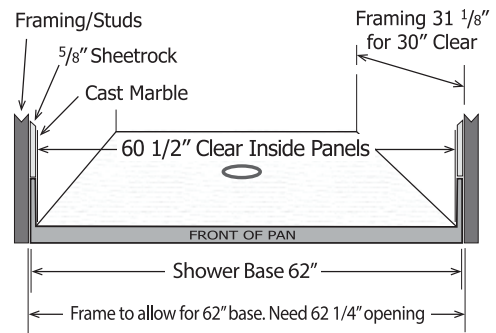
62 X 31 SOLID SURFACE ROLL-IN SHOWER BASE
IMI SOLIDCAST™

Note: Base dimensions may vary +/- 1/8"

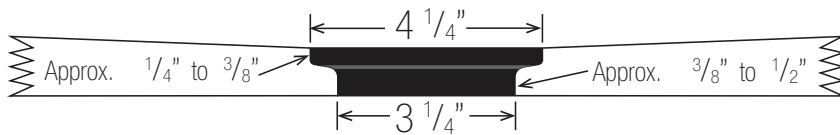
Top View



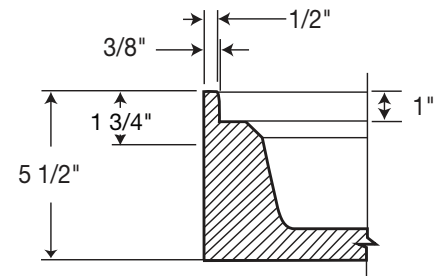
Based on a 62" x 31" Custom Shower Base



Drain Detail



Flange Details: (U.S.)



FEATURES Dimensional Tolerance $\pm 1/4"$. Dimensions needed for site preparation should be measured from the unit. American Bath Group assumes no responsibility for preparatory work.

Type and Model #	Material	Shower Base	Pieces
Shower Base #SB-RI-ADA-SC	Cast Solid Surface	Anti-Slip/Textured Finish	1

DIMENSIONS

Specifications	inches
Shower Base Depth:	31
Shower Base Width:	62
Threshold Height:	1 1/2 - 1 1/4 - 1 1/2
Threshold Width:	3

SUGGESTED DRAINS

Part Number
Oatley part number: #42150 Brass
Kohler model: #K9132 Stainless Steel