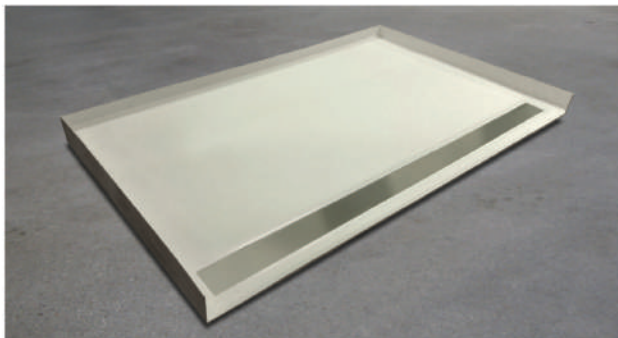
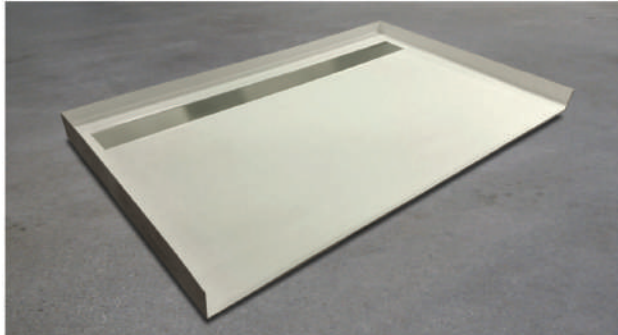
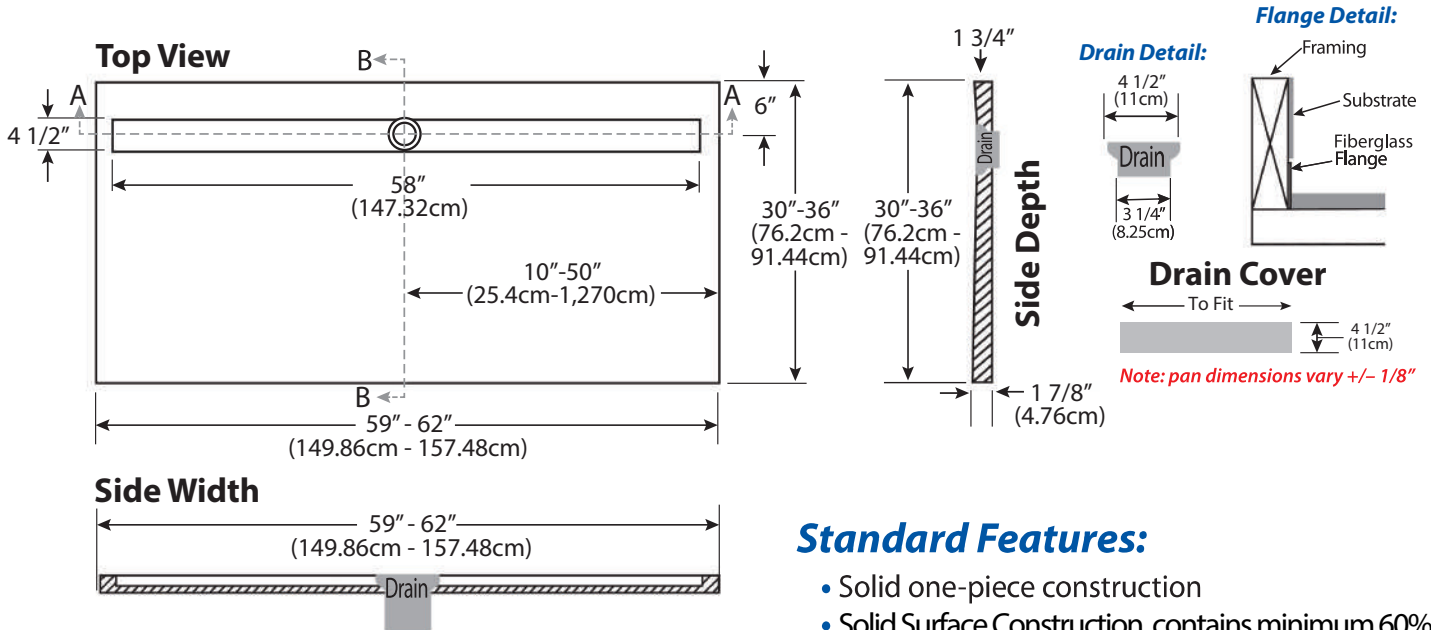




Solid Surface 62" x 36" ADA Roll-In w/6" Trench Drain

SS62x36-RI-6TD-SS

Est. Weight: 115 lbs (52.2kg) IMI LiteCast™



Standard Features:

- Solid one-piece construction
- Solid Surface Construction, contains minimum 60% solid particle aggregate aluminum hydroxide
- 40% Acrylic modified Polyester Resin
- Pre-leveled rests on subfloor

Specifications:

- Size: 60"x30" Size
- Slip-Resistance: SCoF = 0.6+, wet; DCoF = 0.42+
- Breaking Strength: 250 lbs. Maximum
- Flange: Integral

Suggested Drains:

- Solvent Weld type fitting similar to Oatey Part No. 42097
- Compression type "No-Caulk" fitting similar to Oatey Part No. 42099

