

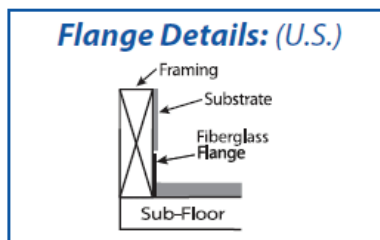
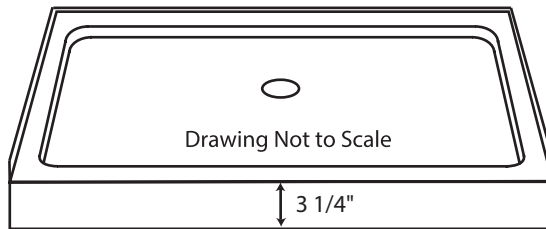
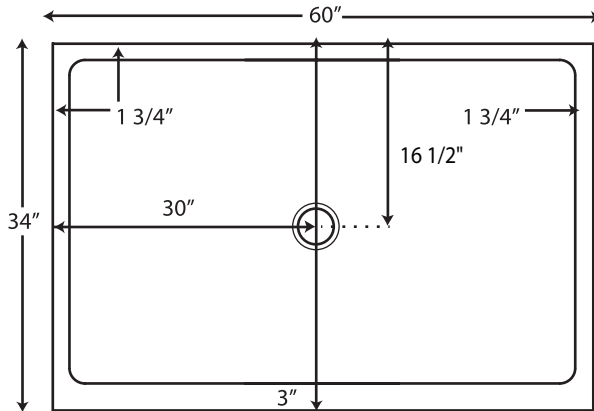


60" x 34" Shower Base w/Center Drain

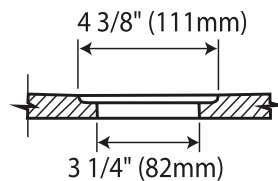
SB60x34-SSB-LC

Est. Weight: TBD IMI LiteCast™

TECHNICAL SPECIFICATIONS



Drain Details (US):



Specifications:

- Size: 60" x 34"
- Drain: Center
- Drain Opening: 3.25" Hole Width
- Curb Height: 3 1/4"
- Flange: Fiberglass
- Solid One-Piece Construction
- Pre-Leveled, Rests on Subfloor
- Mold and Mildew Resistant
- Bacteria Resistant
- "Grout-Free" and Non-Porous
- Stain Resistant and Easy to Clean
- Water Proof and Leak Proof

Standards & Ratings:

- ANSI Z124.1.2
- 2005 Tested by NAHB
- ASTM 1028-96
- Coe°cient of friction test (minimum rating of .67)

Suggested Drains:

- ANSI Z124.1.2
- 2005 Tested by NAHB
- ASTM 1028-96
- Coe°cient of friction test (minimum rating of .67)

NOTE: Base dimensions may vary +/- 1/8"

Our products comply with one or more of the following: IAPMO, ANSI, HUD, NAHB, NHQ

Typical CSI Codes: 22 42 23 (Div 22)

Revised: 2019.07.10

© 2019 Copyright IMI International Marble Industries, Inc.

