

# SB60x32-4TD-xH-LC

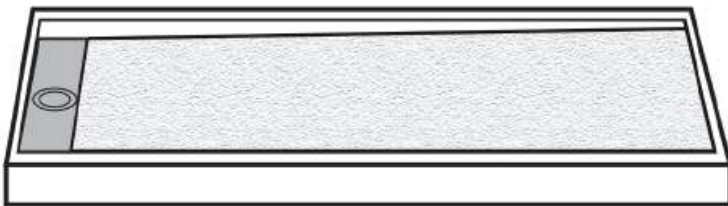
inches

## 60 X 32 4" TRENCH DRAIN LH OR RH SHOWER BASE IMI LITECAST™

Exterior Dimensions: 60W x 32D

Note: Base dimensions may vary +/- 1/8"

\* Also available in IMI ProCast™



Material to be stacked on pallets.

### DRAIN FINISHES

Solid Cover	Code
Brushed Stainless Steel	SS
Ornamental (Slotted)	OSS
Decorative (Perforated)	DSS
Powder Coated	W, MB

### COLOR & TRIM OPTIONS

Standard Color	Code
White	SW
Optional Color	Code
Cream	SC
Ivory	SI
Warm White	WW

Additional custom colors available.



Cast Marble Solutions

## FEATURES

- Available in Left Hand and Right Hand version
- Fiberglass Flange
- 3" Wide Thresholds on Front
- Solid one-piece construction
- Pre-leveled, rests on subfloor
- Mold and mildew resistant
- Bacteria resistant
- "Grout-free" and non-porous
- Stain resistant and easy to clean
- Waterproof and leakproof

## STANDARDS AND RATINGS

- Typical CSI Code: 22 42 23 (Div 22)
- ANSI
- ASTM (Fire Rating)
- MAS Certified Green

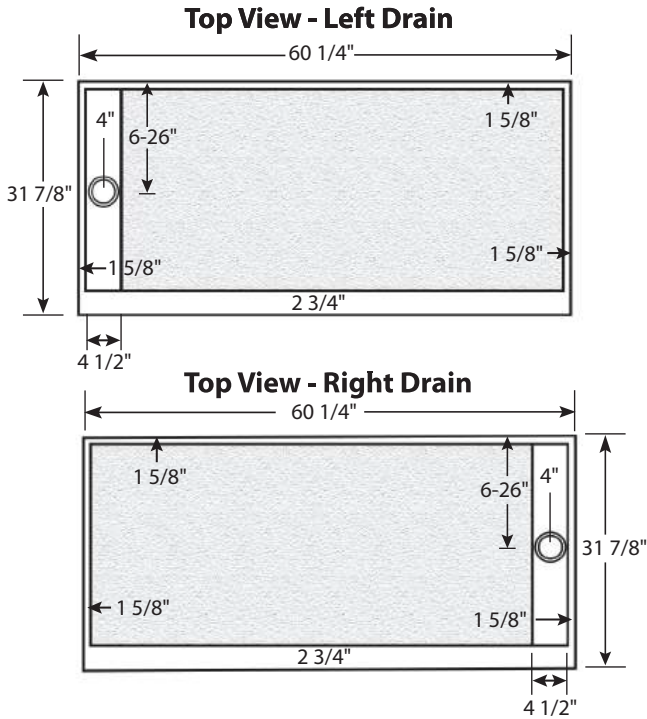
Code compliant when fully equipped and installed according to guidelines.



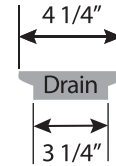
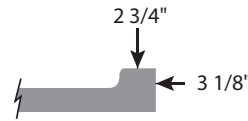
# SB60x32-4TD-xH-LC

60 X 32 4" TRENCH DRAIN LH OR RH SHOWER BASE

IMI LITECAST™



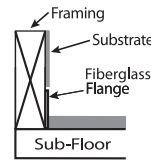
### Side View of Curb



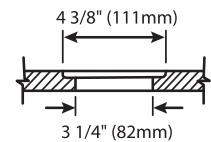
### Drain Cover



### Flange Details: (U.S.)



### Drain Details: (U.S.)



**FEATURES** Dimensional Tolerance  $\pm 1/8$ ". Dimensions needed for site preparation should be measured from the unit. American Bath Group assumes no responsibility for preparatory work.

Type and Model #	Material	Shower Base	Pieces
Shower Base #SB60x32-4TD-xH-LC	Cast Marble	Anti-Slip/Textured Finish	1

### DIMENSIONS

Specifications	inches
Shower Base Depth:	32
Shower Base Width:	59 7/8
Curb Height:	3 1/4

### Suggested Drains:



Solvent Weld type fitting similar to Oatey Part No. 42097



Compression type "No-Caulk" fitting similar to Oatey Part No. 42099

Rev. 12.14.20